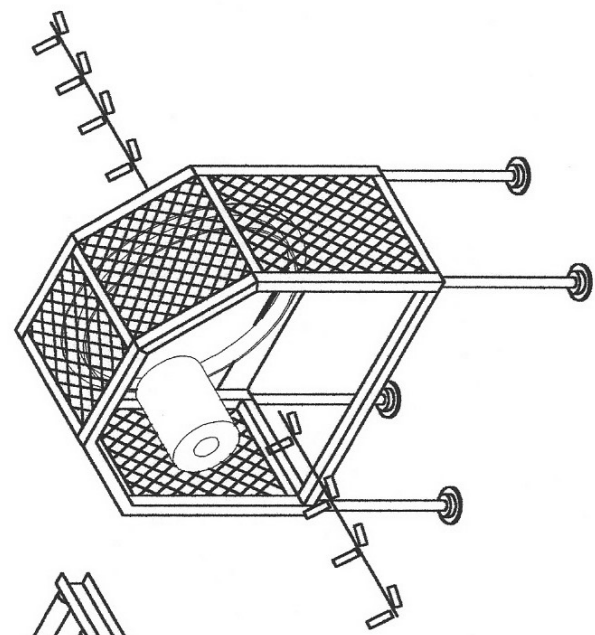
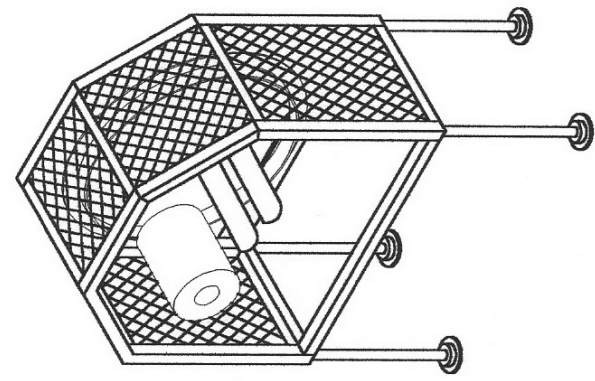


WITH GRAVITY CONVEYOR



WITH V-ROLLER CONVEYOR



WITH SUPPORT TINES
FOR CLOSET OPERATION

DESCRIPTION		QTY	UNIT
1			
2			
3			
4			
5			
6			
7			
8			
9			
10			
11			
12			
13			
14			
15			
16			
17			
18			
19			
20			

AMERIPAK, INC.
 17000 1ST AVENUE, S.W.
 ALBUQUERQUE, NEW MEXICO 87105
 PHONE: (505) 252-2600 FAX: (505) 252-0276

SER. 10, 12, 14 ERGON
 HORIZONTAL WRAPPER
 DATE: 8-21-87
 1 of 2
 WA 301482